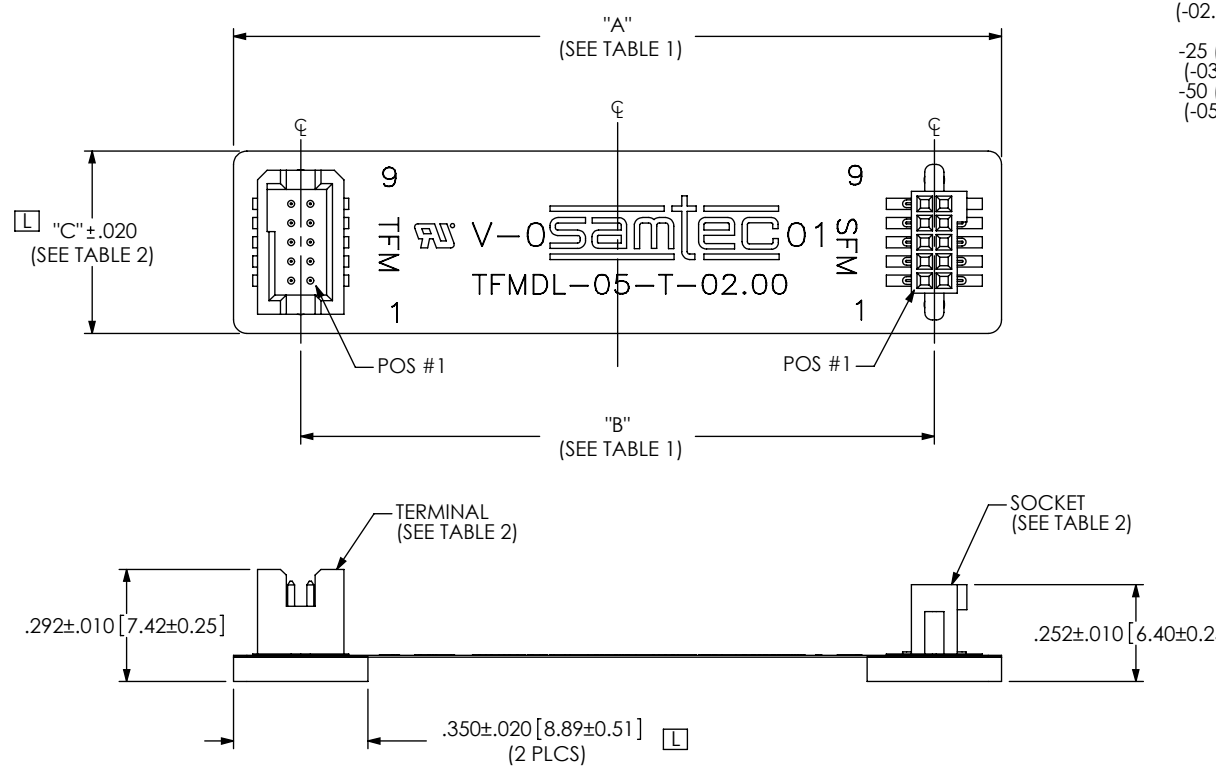


FIG. 1
TFMDL-05-T-02.00 SHOWN

THIS PRODUCT MANUFACTURED WITH LEAD-FREE PROCESSING

TFMDL-XX-T-XX.XX-XX



No OF POSITIONS
-05 (PER ROW)
(-02.00 & -10.00 ONLY)
-25 (PER ROW)
(-03.00 ONLY)
-50 (PER ROW)
(-05.00 ONLY)

OPTION
-FL: FRICTION LOCKS
(LEAVE BLANK FOR STANDARD VERSION)

END ASSEMBLY
-T: TRANSFER END

OVERALL LENGTH
-02.00: 2.00[50.80]
(-05 ONLY)
-03.00: 3.00[76.20]
(-25 ONLY)
-05.00: 5.00[127.00]
(-50 ONLY)
-10.00: 10.00[254.00]
(-05 ONLY)

TABLE 3

PART NO.	FE NO.
TFMDL-05-T-02.00	10052
TFMDL-05-T-10.00	10087
TFMDL-25-T-03.00	10044
TFMDL-25-T-03.00-FL	10044
TFMDL-50-T-05.00	10045
TFMDL-50-T-05.00-FL	10045

TABLE 1

OVERALL LENGTH	"A"	"B"
-02.00	2.00[50.8]	1.65[41.9]
-03.00	3.00[76.2]	2.65[67.3]
-05.00	5.00[127.0]	4.65[118.1]
-10.00	10.00[254.0]	9.65[245.1]

TABLE 2

No OF POS PER ROW	OPTION	TERMINAL	SOCKET	"C"
-05	NONE	TFM-105-02-S-D-A	SFM-105-02-S-D-A	.475[12.07]
-05	-FL	TFML-105-02-S-D-A	SFML-105-02-S-D-A	.475[12.07]
-25	NONE	TFM-125-02-S-D-A	SFM-125-02-S-D-A	1.475[37.47]
-25	-FL	TFML-125-02-S-D-A	SFML-125-02-S-D-A	1.475[37.47]
-50	NONE	TFM-150-02-S-D-A	SFM-150-02-S-D-A	2.725[69.22]
-50	-FL	TFML-150-02-S-D-A	SFML-150-02-S-D-A	2.725[69.22]

- NOTES:
- Ⓢ REPRESENTS A CRITICAL DIMENSION.
 - ALL DIMENSIONS TO BE SYMMETRICAL ABOUT CENTERLINE WITHIN ±.002[0.05] UNLESS OTHERWISE STATED.
 - PARTS TO BE LAYER PACKAGED.
 - PARTS TO BE ROHS COMPLIANT.
 - PIN MAPPING IS 1:1.

- COVERFILM: .001 [0.06] POLYIMIDE
.001 [0.06] ADHESIVE
- COPPER CLAD: 1 oz COPPER
.001 [0.03] ADHESIVE
.001 [0.03] POLYIMIDE
- ADHESIVE: .001 [0.03] ADHESIVE
- STIFFENER: .062 [1.57] FR4

CROSS SECTION OF FLEX & STIFFENER
NOT TO SCALE

UNLESS OTHERWISE SPECIFIED, DIMENSIONS ARE IN INCHES. TOLERANCES ARE:
DECIMALS ANGLES
.XX: ±.01 [.3] 2°
.XXX: ±.005 [.13]
.XXXX: ±.0020 [.051]

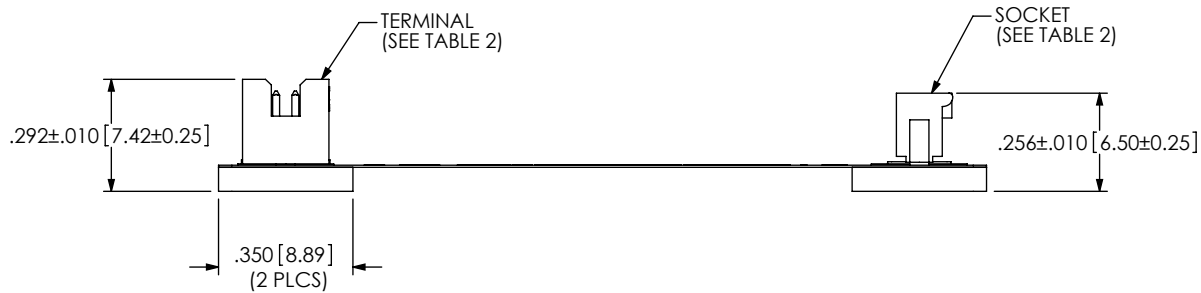
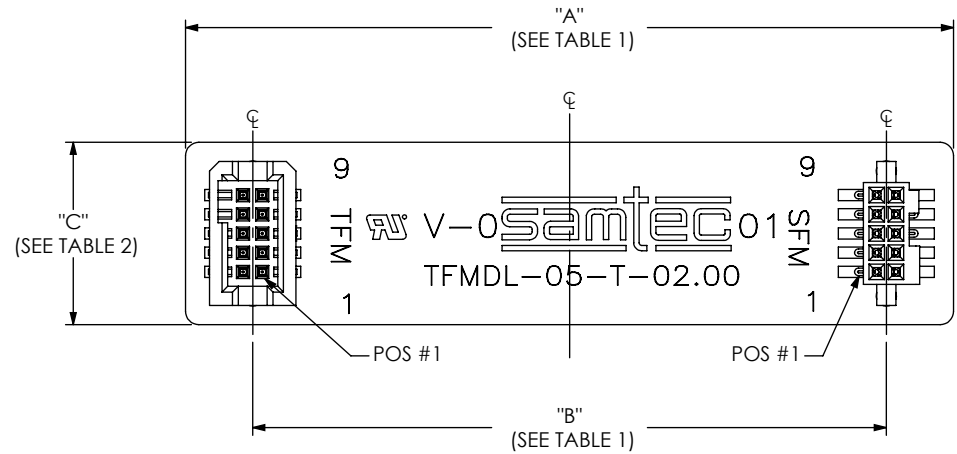
PROPRIETARY NOTE
THIS DOCUMENT CONTAINS INFORMATION CONFIDENTIAL AND PROPRIETARY TO SAMTEC, INC. AND SHALL NOT BE REPRODUCED OR TRANSFERRED TO OTHER DOCUMENTS OR DISCLOSED TO OTHERS OR USED FOR ANY PURPOSE OTHER THAN THAT WHICH IT WAS OBTAINED WITHOUT THE EXPRESSED WRITTEN CONSENT OF SAMTEC, INC.

samtec
520 PARK EAST BLVD, NEW ALBANY, IN 47150
PHONE: 812-944-6733 FAX: 812-948-5047
e-Mail: info@SAMTEC.com code: 55322

CONNECTOR MATERIALS: DO NOT SCALE DRAWING SHEET SCALE: 2:1
INSULATORS: LIQUID CRYSTAL POLYMER
TERMINAL: PHOS BRONZE
CONTACT: BeCu
FLEX MATERIALS:
SEE CROSS SECTION DETAIL
F:\D\WG\MISC\MKTG\TFMDL-XX-T-XX.XX-MKT.SLDDRW

DESCRIPTION:
.050[1.27] C.L. TERMINAL TO SOCKET FLEX CABLE
DWG. NO. TFMDL-XX-T-XX.XX-XX
BY: BRATCHER 01/17/03 SHEET 1 OF 2

FIG. 1
TFMDL-05-T-02.00-FL SHOWN



PROPRIETARY NOTE
THIS DOCUMENT CONTAINS INFORMATION CONFIDENTIAL AND PROPRIETARY TO SAMTEC, INC. AND SHALL NOT BE REPRODUCED OR TRANSFERRED TO OTHER DOCUMENTS OR DISCLOSED TO OTHERS OR USED FOR ANY PURPOSE OTHER THAN THAT WHICH IT WAS OBTAINED WITHOUT THE EXPRESSED WRITTEN CONSENT OF SAMTEC, INC.

DO NOT SCALE DRAWING

SHEET SCALE: 2:1



520 PARK EAST BLVD, NEW ALBANY, IN 47150
PHONE: 812-944-6733 FAX: 812-948-5047
e-Mail: info@SAMTEC.com code: 55322

DESCRIPTION:
.050[1.27] C.L. TERMINAL TO SOCKET FLEX CABLE

DWG. NO.
TFMDL-XX-T-XX.XX-XX

BY: BRATCHER 01/17/03 SHEET 2 OF 2